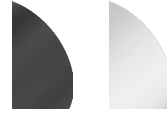




## LUXPOINT® LED Tracklight - Tilbert Datasheet



Colors:



Black White

CE UK CA 90 CRI IK06

The Tilbert series with CRI90 and 3CCT functionality, delivers superior color accuracy, mimicking natural light for galleries, retail, and offices. Its 3CCT feature offers selectable color temperatures (warm, neutral, cool) for versatile ambiance. Compatible with various track systems, it ensures energy efficiency. Benefits include vibrant color rendering, enhanced visual appeal, improved well-being, and long-lasting performance, making Tilbert ideal for accent and general lighting.

### Benefits

- Enhanced Visual Experience
- Versatile Lighting Options
- Highlight Your Favorites
- Easy Installation & Maintenance

### Applications

- Living rooms
- Retail stores
- Restaurants
- Gallery
- Other demanding environments

# LUXPOINT® LED Tracklight - Tilbert

## Technical Data



2-Wire Track



3-Phase Track

### Optical Specifications

<b>Wattage</b>		30W
<b>Luminous Flux @CCT</b>	<b>3000K</b>	2200lm
	<b>4000K</b>	2700lm
	<b>6500K</b>	2700lm
<b>Total luminous flux of contained light sources @CCT</b>	<b>3000K</b>	2500lm
	<b>4000K</b>	3000lm
	<b>6500K</b>	3000lm
<b>Efficacy</b>		115lm/W
<b>Flickering metric (Pst LM)</b>		<1
<b>Stroboscope effect metric (SVM)</b>		<0.4
<b>CRI</b>		≥90
<b>SDCM</b>		< 6
<b>Beam Angle</b>		12° / 24° / 38°
<b>Photobiological safety group acc. To EN62778</b>		RG0
<b>Photobiological safety group acc. To EN62471</b>		RG0
<b>Dimmable</b>		No
<b>Installation</b>		2-Wire Track, 3-Phase Track

# LUXPOINT® LED Tracklight - Tilbert

## Technical Data

### Electrical and Mechanical Specifications

Input Voltage		220-240V ~50/60Hz
Nominal Current		135mA (2-Wire Track) / 130mA (3-Phase Track)
Inrush current time Th50		10.4µs@14A (2-Wire Track) / 1.12µs@11A (3-Phase Track)
Power Factor		0.9
Max. number of luminaires per miniature circuit breaker	<b>B16</b>	53 (2-Wire Track) / 70 (3-Phase Track)
	<b>C10</b>	42 (2-Wire Track) / 56 (3-Phase Track)
	<b>C16</b>	68 (2-Wire Track) / 90 (3-Phase Track)
Protection class		Class II
Dimensions		Ø90 x 113mm
Weight		563g (2-Wire Track) / 573g (3-Phase Track)
Housing		Extruded Aluminum
Optics		Aluminum Anodized PC reflector
Replaceable light source		No
Replaceable Control gear		No
Glow wire test according to IEC60695-2-12		650°C

### System Specifications

Power	AC mains
Operating Temperature	-10°C ~ 40°C
Storage Temperature	-20°C ~ 60°C
Lifespan L70/B50 at 45°C	30,000 hours
Lifespan L70/B50 at 25°C	50,000 hours
Number of switching cycles	50,000
Environment	Indoor
Impact Resistance	IK06
Safety Approval	CE, UKCA, RoHS
Mercury content	0.0mg
Warranty	3 years

### Accessories



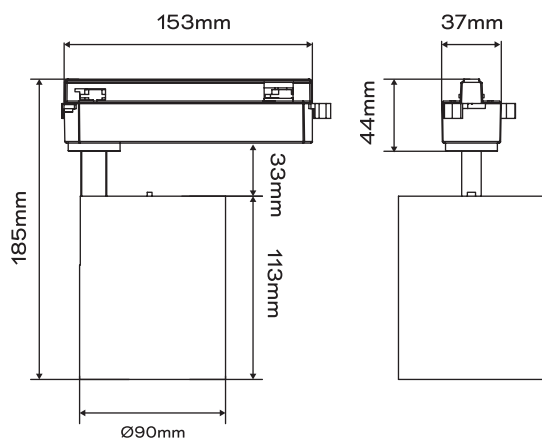
Reflector

# LUXPOINT® LED Tracklight - Tilbert

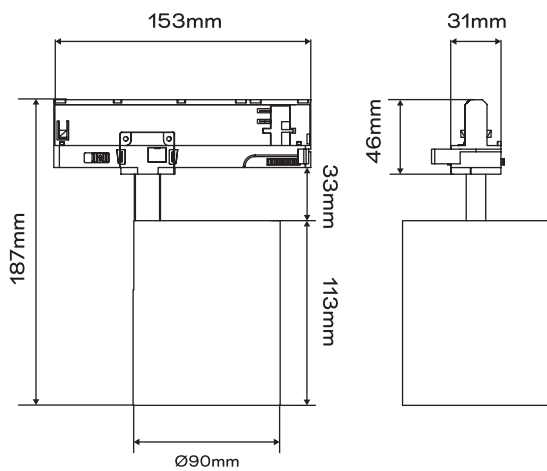
## Dimension

30W

2-Wire Track



3-Phase Track



Due to the special conditions of manufacturing process of LED, the typical data of technical parameters can only reflect statistical figures and do not necessarily correspond to the actual parameters of each single product which could differ from typical data.

Exceeding maximum ratings for operation voltage will cause hazardous overload and will likely destroy the LED module.

Exceeding maximum ratings for operation and storage temperature will reduce expected life time or destroy the LED module.

Specifications are subject to change without notice. Errors and omission excepted, always make sure to use the most recent release.

# LUXPOINT® LED Tracklight - Tilbert

## Ordering codes

### Fixture

Short Text	Wattage	CCT	Installation	Fixture Lumen	Light Source Lumen	Beam angle	Item code	EAN-13
LP TL 30W 830/840/865 12D 4W BL	30W	3000K/4000K/6500K	3-Phase Track	2700lm	3000lm	12°	TXGL25100049555	4897135738092
LP TL 30W 830/840/865 24D 4W BL	30W	3000K/4000K/6500K	3-Phase Track	2700lm	3000lm	24°	TXGL25100049655	4897135738108
LP TL 30W 830/840/865 38D 4W BL	30W	3000K/4000K/6500K	3-Phase Track	2700lm	3000lm	38°	TXGL25100049755	4897135738115
LP TL 30W 830/840/865 12D 4W WH	30W	3000K/4000K/6500K	3-Phase Track	2700lm	3000lm	12°	TXGL25100049855	4897135738122
LP TL 30W 830/840/865 24D 4W WH	30W	3000K/4000K/6500K	3-Phase Track	2700lm	3000lm	24°	TXGL25100049955	4897135738139
LP TL 30W 830/840/865 38D 4W WH	30W	3000K/4000K/6500K	3-Phase Track	2700lm	3000lm	38°	TXGL25100050055	4897135738146
LP TL 30W 830/840/865 12D 2W BL	30W	3000K/4000K/6500K	2-Wire Track	2700lm	3000lm	12°	TXGL25100050155	4897135738153
LP TL 30W 830/840/865 24D 2W BL	30W	3000K/4000K/6500K	2-Wire Track	2700lm	3000lm	24°	TXGL25100050255	4897135738160
LP TL 30W 830/840/865 38D 2W BL	30W	3000K/4000K/6500K	2-Wire Track	2700lm	3000lm	38°	TXGL25100050355	4897135738177
LP TL 30W 830/840/865 12D 2W WH	30W	3000K/4000K/6500K	2-Wire Track	2700lm	3000lm	12°	TXGL25100050455	4897135738184
LP TL 30W 830/840/865 24D 2W WH	30W	3000K/4000K/6500K	2-Wire Track	2700lm	3000lm	24°	TXGL25100050555	4897135738191
LP TL 30W 830/840/865 38D 2W WH	30W	3000K/4000K/6500K	2-Wire Track	2700lm	3000lm	38°	TXGL25100050655	4897135738207

### Accessories



Reflector

Short Text	Beam Angle	Item code	EAN-13
LP TL 30W REFLECTOR 15D	15°	TXGA25100082155	4895271101671
LP TL 30W REFLECTOR 24D	24°	TXGA25100082255	4895271101688

Service contact:  
 Traxon Technologies Ltd.  
 Room 1604, 16/F, First Group Centre, 23 Wang Chiu Road,  
 Kowloon Bay, Kowloon, Hong Kong, China  
[www.traxon-ecue.com](http://www.traxon-ecue.com)

Traxon Technologies Europe GmbH  
 Im Dörener Feld 8, 33100 Paderborn, Germany