



LUXPOINT® LED Slim Downlight - Luitbert Datasheet



Colors:



Black White



Our Luitbert LED Slim Downlight is an ultra-thin, canless recessed light perfect for tight ceiling spaces. With easy spring-clip installation, it offers dimmable lighting and selectable color temperatures. Its sleek, modern design blends seamlessly into kitchens, bathrooms, hallways, and living areas, delivering long-lasting, energy-efficient illumination with a minimalist look.

Benefits

- Versatile Light Options
- Environmentally Friendly
- Easy Installation & Maintenance
- Wide Range of Application

Applications

- Office
- Hotel
- Shop
- Home
- Restaurant
- Other demanding environments

LUXPOINT® LED Slim Downlight - Luitbert

Technical Data

Optical Specifications

Wattage		6W	8W	12W	20W
Luminous Flux @CCT	3000K	400lm	520lm	900lm	1700lm
	4000K	400lm	520lm	900lm	1700lm
	6500K	400lm	520lm	900lm	1700lm
Total luminous flux of contained light sources @CCT	3000K	550lm	880lm	1320m	2200lm
	4000K	550lm	880lm	1320m	2200lm
	6500K	550lm	880lm	1320m	2200lm
Efficacy		67lm/W	65lm/W	75lm/W	85lm/W
Flickering metric (Pst LM)		<1			
Stroboscope effect metric (SVM)		<0.4			
CRI		≥80			
SDCM		< 6			
Beam Angle		120°			
Photobiological safety group acc. To EN62778		RG0			
Photobiological safety group acc. To EN62471		RG0			
Dimmable		No			

Electrical and Mechanical Specifications

Input Voltage		220-240V ~50/60Hz			
Nominal Current		45mA	80mA	110mA	180mA
Inrush current time Th50		91µs@5A	91µs@5A	102µs@13A	90µs@9A
Power Factor		0.5	0.5	0.5	0.5
Max. number of luminaires per miniature circuit breaker	B16	80	80	42	71
	C10	50	50	26	44
	C16	80	80	42	71
Protection class		Class II	Class II	Class II	Class II
Dimensions		D 92mm	D 125mm	D 175mm	D 224mm
		H 24mm	H 24mm	H 24mm	H 24mm
Weight		115g	162g	246g	370g
Housing		Aluminum			
Diffuser		Polystyrene (PS)			
Replaceable light source		No			
Replaceable Control gear		No			
Glow wire test according to IEC60695-2-12		650°C			

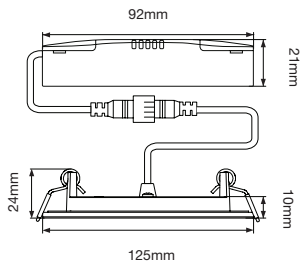
System Specifications

Power	AC mains
Operating Temperature	-20°C ~ 45°C
Storage Temperature	-20°C ~ 60°C
Lifespan L70/B50 at 45°C	50,000 hours
Lifespan L70/B50 at 25°C	70,000 hours
Number of switching cycles	50,000
Environment	Indoor
Safety Approval	CE, UKCA, RoHS
Mercury content	0.0mg
Warranty	5 years

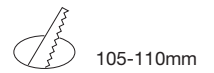
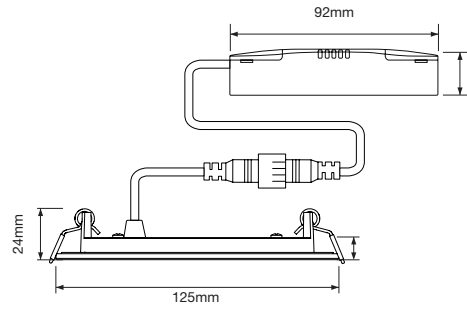
LUXPOINT® LED Slim Downlight - Luitbert

Dimension

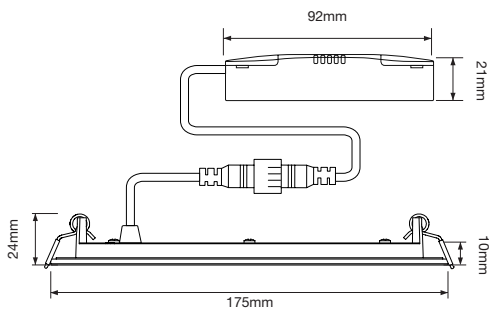
6W



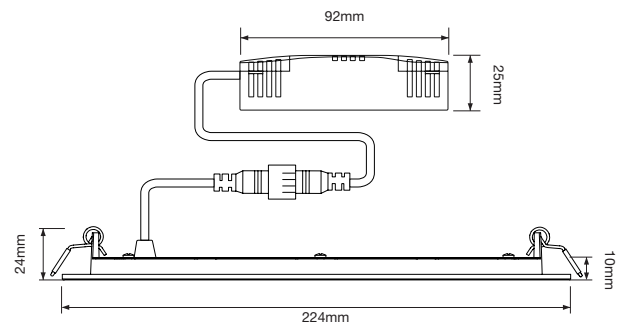
8W



12W



20W



Due to the special conditions of manufacturing process of LED, the typical data of technical parameters can only reflect statistical figures and do not necessarily correspond to the actual parameters of each single product which could differ from typical data.

Exceeding maximum ratings for operation voltage will cause hazardous overload and will likely destroy the LED module.

Exceeding maximum ratings for operation and storage temperature will reduce expected life time or destroy the LED module.

Specifications are subject to change without notice. Errors and omission excepted, always make sure to use the most recent release.

LUXPOINT® LED Slim Downlight - Luitbert

Ordering codes

Fixture

Short Text	Wattage	CCT	Fixture Lumen	Light Source Lumen	Beam Angle	Item code	EAN-13
LP DL-S D92 6W 830/840/865 WH	6W	3000K/4000K/6500K	400lm	550lm	120°	TXGL26100132355	4895271102524
LP DL-S D92 6W 830/840/865 BL	6W	3000K/4000K/6500K	400lm	550lm	120°	TXGL26100132455	4895271102531
LP DL-S D125 8W 830/840/865 WH	8W	3000K/4000K/6500K	520lm	880lm	120°	TXGL25100080055	4895271101695
LP DL-S D125 8W 830/840/865 BL	8W	3000K/4000K/6500K	520lm	880lm	120°	TXGL25100080155	4895271101701
LP DL-S D175 12W 830/840/865 WH	12W	3000K/4000K/6500K	900lm	1320lm	120°	TXGL25100080255	4895271101718
LP DL-S D175 12W 830/840/865 BL	12W	3000K/4000K/6500K	900lm	1320lm	120°	TXGL25100080355	4895271101725
LP DL-S D224 20W 830/840/865 WH	20W	3000K/4000K/6500K	1700lm	2200lm	120°	TXGL25100080455	4895271101732
LP DL-S D224 20W 830/840/865 BL	20W	3000K/4000K/6500K	1700lm	2200lm	120°	TXGL25100080555	4895271101749

Service contact:
Traxon Technologies Ltd.
Room 1604, 16/F, First Group Centre, 23 Wang Chiu Road,
Kowloon Bay, Kowloon, Hong Kong, China
www.traxon-ecue.com

Traxon Technologies Europe GmbH
Im Dörener Feld 8, 33100 Paderborn, Germany