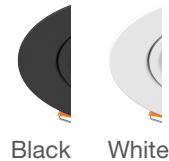


LUXPOINT® LED Gimbal Downlight - Bogen Datasheet



Colors:



The Bogen series LED Gimbal Downlights are adjustable lighting fixtures designed for focused illumination in residential and commercial spaces. They swivel and tilt, making them ideal for accent lighting. It fits seamlessly into any decor, providing versatile lighting solutions for homes, offices, and retail environments.

Benefits

- Versatile Light Options
- Environmentally Friendly
- Easy Installation & Maintenance
- Wide Range of Application

Applications

- Living rooms
- Retail stores
- Restaurants
- Gallery
- Other demanding environments

LUXPOINT® LED Gimbal Downlight - Bogen

Technical Data

Optical Specifications

Wattage		9W	12W
Luminous Flux @CCT	3000K	800lm	1080lm
	4000K	800lm	1080lm
	6500K	800lm	1080lm
Total luminous flux of contained light sources @CCT	3000K	860lm	1180m
	4000K	860lm	1180m
	6500K	860lm	1180m
Efficacy		89lm/W	90lm/W
Flickering metric (Pst LM)		<1	<1
Stroboscope effect metric (SVM)		<0.4	<0.4
CRI		≥80	≥80
SDCM		< 6	< 6
Beam Angle		45°	
Photobiological safety group acc. To EN62778		RG0	RG0
Photobiological safety group acc. To EN62471		RG0	RG0
Dimmable		No	No

Electrical and Mechanical Specifications

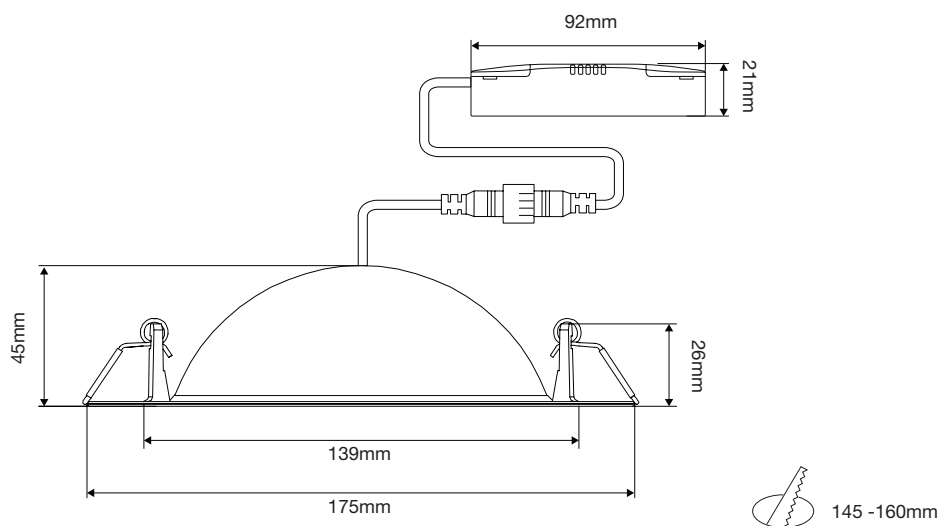
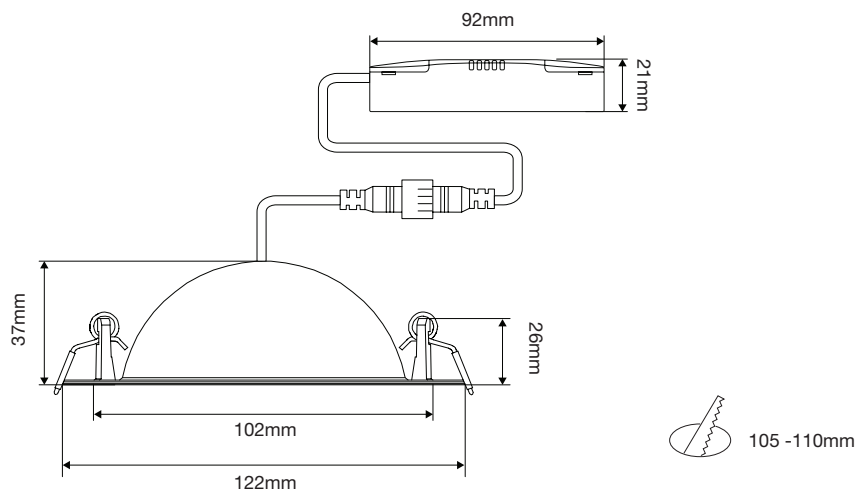
Input Voltage		220-240V ~50/60Hz	
Nominal Current		78mA	104mA
Inrush current time Th50		91s@5A	90µs@9A
Power Factor		0.5	0.5
Max. number of luminaires per miniature circuit breaker	B16	80	71
	C10	50	44
	C16	80	71
Protection class		Class II	Class II
Dimensions		D Ø122mm	D Ø175mm
		H 37mm	H 45mm
Weight		222g	413g
Housing		Aluminum	
Diffuser		Polycarbonate(PC)	
Replaceable light source		No	
Replaceable Control gear		No	
Glow wire test according to IEC60695-2-12		650°C	

System Specifications

Power	AC mains
Operating Temperature	-20°C ~ 45°C
Storage Temperature	-20°C ~ 60°C
Lifespan L70/B50 at 45°C	50,000 hours
Lifespan L70/B50 at 25°C	70,000 hours
Number of switching cycles	50,000
Environment	Indoor
Safety Approval	CE, UKCA, RoHS
Mercury content	0.0mg
Warranty	5 years

LUXPOINT® LED Gimbal Downlight - Bogen

Dimension



Due to the special conditions of manufacturing process of LED, the typical data of technical parameters can only reflect statistical figures and do not necessarily correspond to the actual parameters of each single product which could differ from typical data.

Exceeding maximum ratings for operation voltage will cause hazardous overload and will likely destroy the LED module.

Exceeding maximum ratings for operation and storage temperature will reduce expected life time or destroy the LED module.

Specifications are subject to change without notice. Errors and omission excepted, always make sure to use the most recent release.

LUXPOINT® LED Gimbal Downlight - Bogen

Ordering codes

Fixture

Short Text	Wattage	CCT	Fixture Lumen	Light Source Lumen	Beam Angle	Item code	EAN-13
LP GD D105 9W 930/940/965 RD WH	9W	3000K/4000K/6500K	800lm	860lm	45°	TXGL25100107955	4895271101756
LP GD D105 9W 930/940/965 RD BL	9W	3000K/4000K/6500K	800lm	860lm	45°	TXGL25100108055	4895271101763
LP GD D145 12W 930/940/965 RD WH	12W	3000K/4000K/6500K	1080lm	1180lm	45°	TXGL25100108155	4895271101770
LP GD D145 12W 930/940/965 RD BL	12W	3000K/4000K/6500K	1080lm	1180lm	45°	TXGL25100108255	4895271101787

Service contact:
Traxon Technologies Ltd.
Room 1604, 16/F, First Group Centre, 23 Wang Chiu Road,
Kowloon Bay, Kowloon, Hong Kong, China
www.traxon-ecue.com

Traxon Technologies Europe GmbH
Im Dörener Feld 8, 33100 Paderborn, Germany